



S7/OPMI PROergo

OPMI PROergo from ZEISS
Comfort and precision



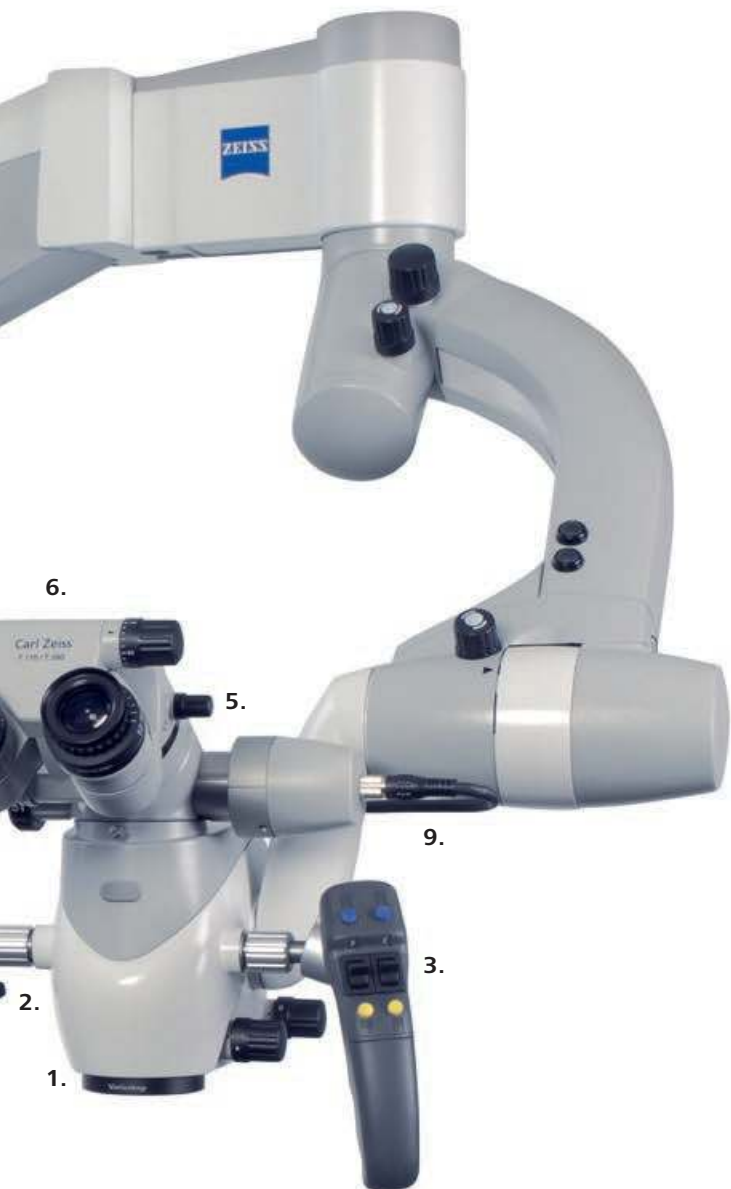
ZEISS OPMI PROergo

Comfort and precision

The legendary optics of ZEISS surgical microscopes allow you to visualize details and fine structures, therefore enhancing the quality of your examination and treatment in all dental disciplines. They provide you with clear visibility of regions that are otherwise difficult to view. The ergonomic design of the OPMI PROergo® facilitates a comfortable working position and helps prevent back and neck pain.

OPMI PROergo from ZEISS is excellence at your fingertips. It offers a variety of convenient, motorized functions that support effortless handling and mechanical stability. The virtually free-floating system allows smooth and precise in an appealing, sleek and compact design.





1. Motorized Varioskop

At the push of a button focus on the treatment field within a working distance of 200 - 415 mm for a better and comprehensive overview – all without having to move the OPMI or change your position.

2. Motorized zoom

Continuous magnification. The brightness setting adjusts automatically as you increase or decrease magnification levels.

3. Magnetic clutches

The Free Float Magnetic System offers smooth movement and precise, stable positioning. The push of a button on the handgrip releases the magnetic brakes.

4. Ergonomically designed handgrips with function keys

Control the focus and zoom and set the other configurable function buttons to operate brightness and SpeedFokus to control video recording.

5. Angled optics and tube dovetail

For work on difficult-to-reach areas.

6. Foldable Tube f170/f260

For an ergonomically correct posture, even with extremely angled positions. Boosts to 150 % detail magnification with the PROMAG function.

7. Stereoscopic image

Large visual field with widefield eyepieces (12.5x or 10x). Special diopter settings also make them suitable for eyeglass wearers.

8. Xenon illumination

This provides homogenous, high-contrast illumination of the treatment field and offers a light temperature characteristic of natural daylight. Two xenon lamps are included in the quick-change module.

9. 1Chip HD Camera

High definition for your patient consultation and documentation.

10. Control console

Default settings such as light, zoom or magnification can be personalized and stored for various users, making clinical transitions quick and easy.



See more – treat more

ZEISS OPMI PROergo enables you to view regions that are otherwise difficult to see. The coaxial illumination directs light to where it is needed. Even very narrow root canals are effectively illuminated and visualized.

Automatic brightness control

The brightness settings adjust automatically as you decrease or increase magnification levels to view the entire oral cavity or fine anatomical structures.

Change the focus without moving

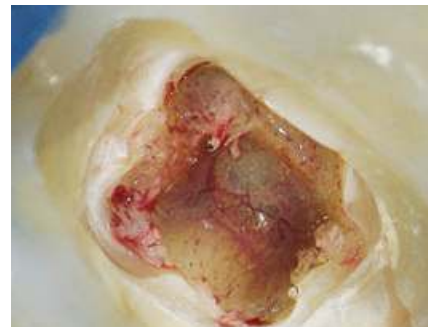
The built-in Varioskop® provides a large field of view at each magnification and improves orientation in the horizontal axis.

High-performance xenon illumination

For even the highest demands and professional documentation, the shadow-free illumination directs light to exactly where it is needed. Even root canals are perfectly illuminated and imaged.

Flexible precision optics

The Foldable Tube f170/f260 combines brilliant apochromatic optics and a unique design for high visualization flexibility. It offers dentists a wide range of magnification potential – even at extreme approach angles.



› Image courtesy of Dr. Bijan Vahedi, Augsburg, Germany

Comfort and easy handling – for your own health

Sit comfortably in an upright, ergonomically correct position during treatment for a more relaxed working day. ZEISS OPMI PROergo helps prevent the early onset of fatigue as well as neck and back problems.

ZEISS OPMI adapts to you, not vice versa

The motorized Varioskop is already integrated into your ZEISS OPMI PROergo. With its long reach, this highly flexible system easily accommodates your needs and different positions of your patient. Foldable Tube f170/f260 offers a wide range of comfortable working positions by reducing or increasing the distance to the required treatment field.

Functional, motorized and ergonomic design

Control the focus and zoom and set the other configurable function buttons to operate brightness and SpeedFokus. The treatment field is focused at the push of a button without having to move ZEISS OPMI PROergo or change your working position.



Foldable Tube f170/f260

Balance and brake – for effortless and precise positioning

By unlocking the magnetic clutches on the handgrip, you can maneuver ZEISS OPMI PROergo easily into the desired working position – even if additional accessories such as the co-observation tube and photo adapter with SLR camera are simultaneously connected.

Free Float Magnetic System

You can unlock the magnetic brakes with the push of a button on the handgrip. The OPMI PROergo can then be maneuvered into the desired working position. The system locks back into place once the button is released. The system can compensate for accessories weighing up to 14 kg such as an optical co-observation tube or a photo adapter with camera. By unlocking the magnetic clutches on the handgrip, you can maneuver ZEISS OPMI PROergo effortlessly and precisely into the desired position and orientation. After the handgrip has been released, the brakes are locked automatically to ensure that the position remains stable and secure.



Photo adapter for SLR cameras (f=340 mm)



Co-observation tube and 1Chip HD Camera (1080p)



Free Float Magnetic System

Digital visualization – for greater clarity in your daily patient consultations and scientific presentations

A picture is worth a thousand words:

Patients ask for detailed information to help them understand the examination, courses of treatment and the expected outcomes. Clear images and videos are extremely valuable to enhance your patient's understanding and acceptance.



1Chip HD Camera (1080p)

Digital visualization in HD

The video camera for ZEISS OPMI PROergo allows you to visualize your surgical microscope images in state-of-art, full HD picture quality. Beneficial for co-observation or scientific presentations, this enables you to display the teeth and tissue structures with finer detail than with standard definition cameras. High contrast and ideal image definition are ensured through the built-in ZEISS apochromatic video optics. The camera starts with a pre-defined configuration and is therefore instantly ready to use with the surgical microscope.

Seamless workflow integration for video and still images

Combining the video camera with the HD video recorder allows you to digitally save your high-quality images. With the push of a button on the handgrip of the surgical microscope you can save video or still images to a USB storage device or automatically transmit them to a network storage system.

Digital photography

It is also optionally possible to attach digital cameras to the surgical microscope. ZEISS can provide you with a variety of camera adapters including SLR cameras, FlexioStill for digital cameras and FlexioMotion for digital camcorders.



Restorative dentistry

Quickly detect enamel and dentine fractures as well as approximal caries. High-precision views enable accurate assessment of crown edges, preparation levels and veneers.

› Image courtesy of Dr. Alessandro Conti, Alessandria, Italy



Endodontics

Visualize fine anatomical structures and details of root canals and isthmuses. The visibility provides a clear view down to the apex.

› Image courtesy of Oscar Freiherr von Stetten Stuttgart, Germany



Implantology

Conduct high-precision examinations and implant treatments quickly and confidently. Reliably detect important anatomical structures.

› Image courtesy of Dr. Rino Burkhardt Zurich, Switzerland



Periodontics

Benefit from support for soft-tissue evaluation and management to aid healing, low scarring and improved cosmetic outcomes.

› Image courtesy of Dr. Rino Burkhardt Zurich, Switzerland

Enhancing treatment and comfort.

ZEISS OPMI PROergo



// INSPIRATION
MADE BY ZEISS

Technical data

S7 / OPMI PROergo from ZEISS

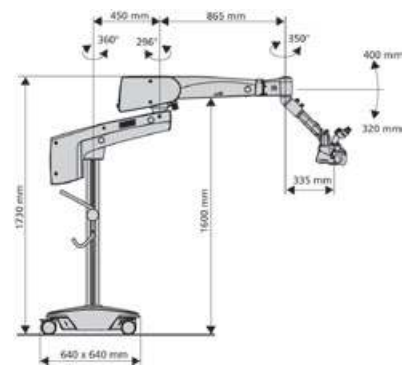
S7 / OPMI PROergo

Magnification system	Motorized zoom system; with apochromatic 1:6 ratio; magnification factor $Y = 0.4x-2.4x$	●
Focus	Continuous motorized focusing via Varioskop	●
	Focusing range of 200-415 mm	●
	SpeedFokus only in combination with the video camera	○
Operating concept	Free Float Magnetic System	●
	Multifunctional, programmable handgrips	●
	LCD display with user guidance	●
	Foot control panel for zoom and focus	○
Tubes	Tilttable tube 0-180°	●
	Foldable tube f170/f260, incl. PROMAG function boost to 150 % magnification and detail magnification	○
Eyepieces	12.5x wide-field eyepieces; also suitable for eyeglass wearers	●
	10x wide-field eyepieces; also suitable for eyeglass wearers	○
	10x or 12x wide-field eyepieces with reticle; also suitable for eyeglass wearers	○
Magnification range	Example with working distance 300 mm and 12.5x eyepieces: Magnification 2.3x up to 14x	●
	Field-of-view diameter: 75 to 16 mm	
Illumination	Halogen illumination with 2 halogen reflector lamps in the quick-change module	●
	Xenon illumination, with daylight characteristic including 2 xenon lamps in the quick-change model	○
	Integrated coaxial cold light illumination	●
	Orange filter for composite materials and swing-in Illumination diaphragms	●
High Definition video	1Chip HD Camera (1080p), 1/3" CMOS Output: DVI, HD-SDI, S-Video	○
	HD video recorder	○
	HD monitors	○
Accessories	Angled optics optional with tube dovetail	○
	Double iris diaphragm to increase the depth of field	○
	Beam splitters: Angled optics documentation port, optional with tube dovetail	○
	Beam splitter with documentation port	○
	Stereo co-observer	○
	Foot control panel for zoom and focus	○
	Photo adapter for SLR cameras (f=340 mm)	○
	FlexioStill adapter for digital cameras	○
	FlexioMotion adapter for digital camcorders	○
	Splash protection for the objective lens	○
	VisionGuard® drapes	○
	Sterilizable asepsis caps and handgrip covers	○
	Instrument tray on floor stand	○

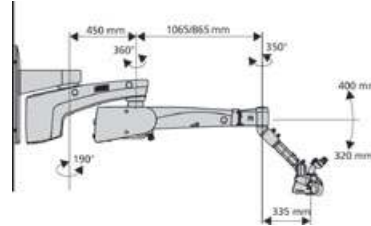
● Standard ○ Option

Suspension system

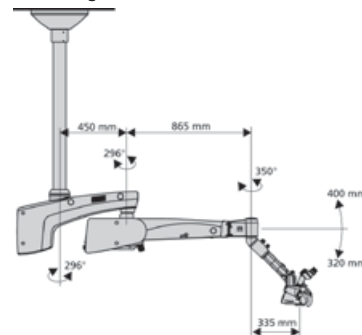
S7 Floor Stand



S7 Wall Mount (short or long arm)



S7 Ceiling Mount



S7 Centro Mount for KaVo CENTRO suspension system



Carl Zeiss Meditec AG

Goeschwitzer Strasse 51-52

07745 Jena

Germany

www.zeiss.com/opmi-proergo

www.zeiss.com/med/contacts

EN_30_010_0187V SUR-4260 Rev D Printed in Germany. AW-CZ-XI/2016 Noo
 The contents of the brochure may differ from the current status of approval of the product in your country. Please contact our regional representative for more information.
 Subject to change in design and scope of delivery and due to ongoing technical development. OPMI PROergo, Varioskop and VisionGuard are registered trademarks of the Carl Zeiss Meditec AG.
 Printed on elemental chlorine-free bleached paper.
 © Carl Zeiss Meditec AG, 2016. All copyrights reserved.