

# Perfecting your art.



**ZEISS EXTARO 300**



[zeiss.com/dentistry/extaro-300](https://zeiss.com/dentistry/extaro-300)

Seeing beyond

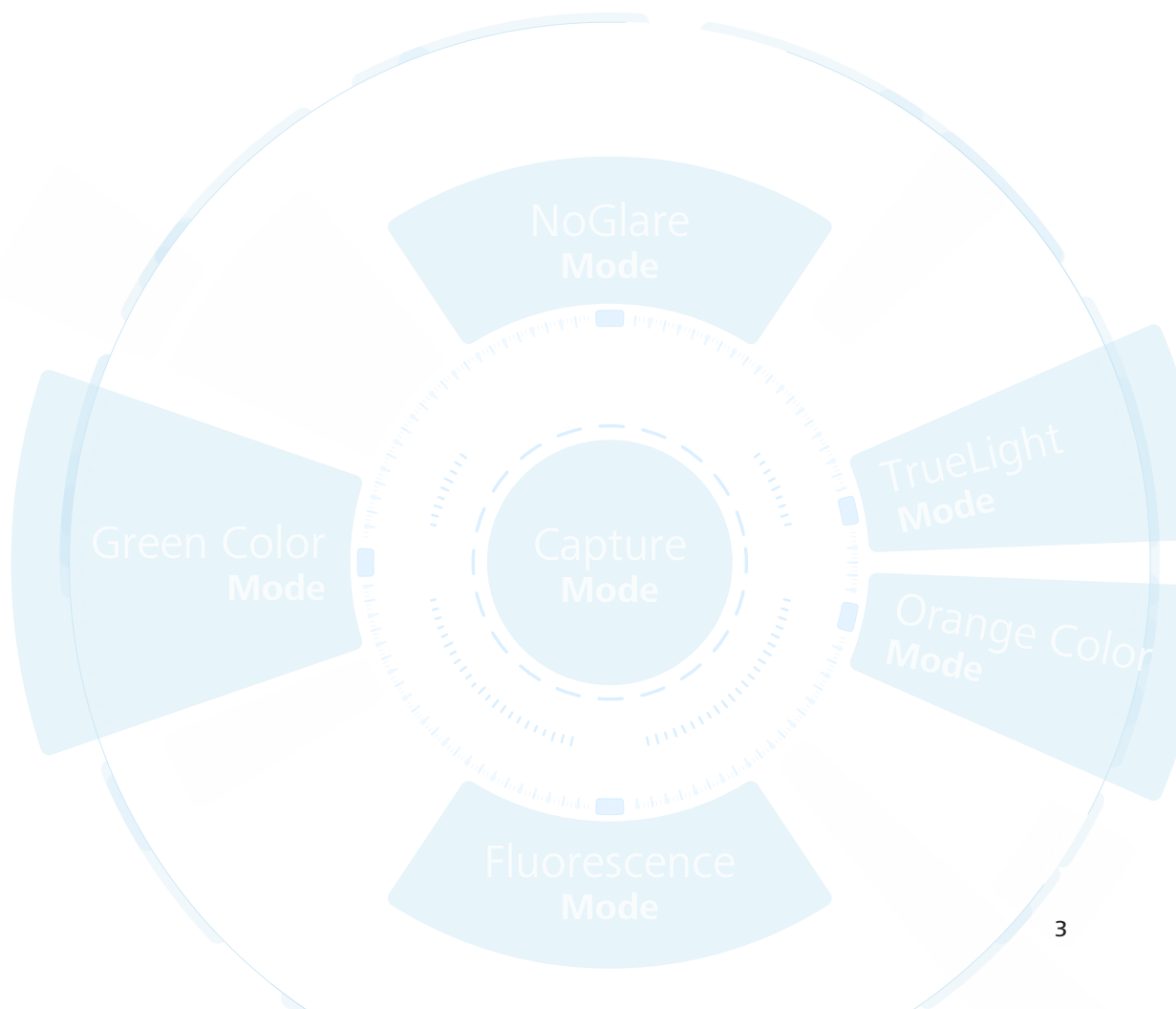


# ZEISS EXTARO 300

## Visualize Beyond

Are you constantly looking for ways to elevate and differentiate your practice from mainstream dental providers? At ZEISS we know the challenges you face when you are aiming for the highest levels of performance and results – both functionally and aesthetically.

EXTARO® 300 from ZEISS provides breakthrough visualization modes that introduce new applications to microdentistry. From more efficient caries detection to a simpler tooth restoration workflow, ZEISS EXTARO 300 is poised to revolutionize and differentiate your practice.





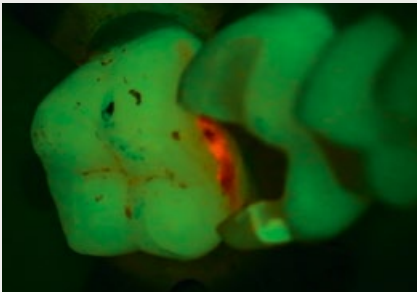


# Augmented Visualization

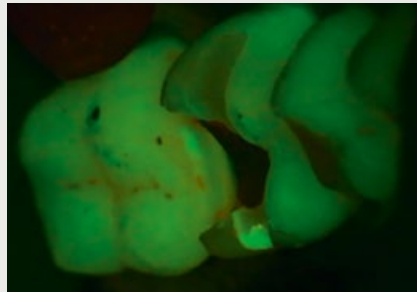
## Repair caries-infected fillings efficiently

The **Fluorescence Mode** in ZEISS EXTARO 300 helps you to identify caries margins to allow preservation of as much healthy tooth substance as possible. As the first device combining caries detection technology<sup>1</sup> with optical magnification, the Fluorescence Mode in ZEISS EXTARO 300 supports detection of carious tooth substances.

Identification of suspected carious tissue/lesions under microscope visualization saves precious time.



*Fluorescence Mode before treatment.*



*Fluorescence Mode after treatment.*

*Images courtesy of Dr. Tomas Lang, Essen, Germany*

<sup>1</sup> *Jahrbuch der Endodontie 2017, Marktübersicht Mikroskope, OEMUS Verlag*

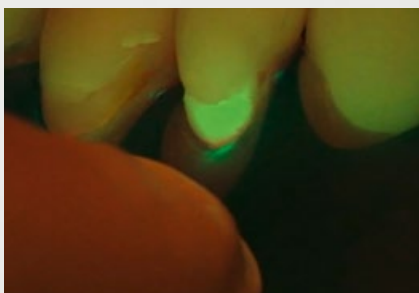


*The Mode Control allows activation of all visual modes on one interface.*

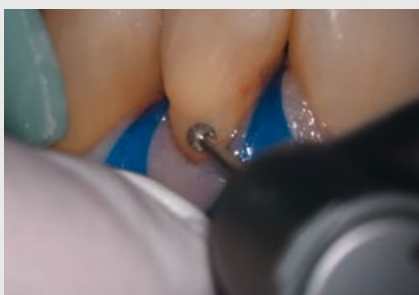
## Augmented Visualization

### Differentiate tooth material

The **Fluorescence Mode** in ZEISS EXTARO 300 also supports you in distinguishing natural hard tooth tissue from the most widely used dental composite resin<sup>2</sup>. Using this clear visual differentiation will help you to target the affected area quickly, saving you valuable chair time during treatment.



*Fluorescence Mode*



*Magnified view*

*Images courtesy of Dr. Tom Schloss,  
Nuremberg, Germany*

<sup>2</sup> For specifications see user manual

# Augmented Visualization

## Treat without distractions

### Analyze and restore teeth without distracting reflections.

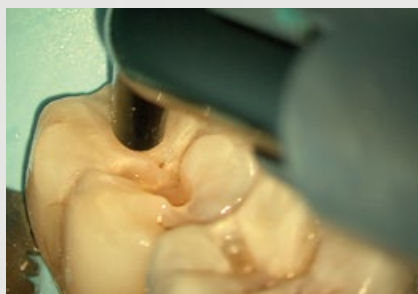
As the first device to combine polarized illumination with magnification<sup>3</sup>, the **NoGlare Mode** in ZEISS EXTARO 300 supports you to precisely analyze the color shades of a tooth. The cross-polarization capability visualizes fine, but relevant details such as color nuances. It effectively suppresses obtrusive light reflections from the tooth surface.

### Prevent premature composite curing while working in a more natural light environment.

Similar to the existing Orange Color Mode, the **TrueLight Mode**<sup>4</sup> in ZEISS EXTARO 300 does not cause premature polymerization of widely-used, contemporary light curing composites under the microscope, giving you more time to finish complex modeling tasks. The optimized color balance of the TrueLight Mode now allows you to identify relevant dental tissues in a more natural white-light setting.



Magnified view



Filling composite using the TrueLight Mode



Modeling of composite using the TrueLight Mode

Images courtesy of Oscar Freiherr von Stetten, Stuttgart, Germany

<sup>3</sup> Jahrbuch der Endodontie 2017, Marktübersicht Mikroskope, OEMUS Verlag

<sup>4</sup> For specifications see user manual





## Digital Patient Communication

### Benefit from a digital workflow

The integrated HD camera of ZEISS EXTARO 300 records wirelessly to the [ZEISS Connect App](#), from where images and videos can be directly transferred to your local network.

#### **Easily educate your patients and show them the value of your work.**

ZEISS EXTARO 300 innovates patient interaction. With the [ZEISS Connect App](#), you can show images of past and current patient conditions and highlight areas requiring treatment, enabling your patients to make informed decisions.







# Single-Handed Operation

Experience an uninterrupted workflow

With only one finger, you can reach the multifunctional **Mode Control** to activate all visualization and capture modes as well as the light settings. From the same hand position, you can adjust the focus without leaving your preferred ergonomic working position.



*Activating the Visualization and Capture Modes and light settings*

## One finger suffices

Activate all the **Visualization Modes** described before to augment your vision and introduce new applications to microdentistry.

Use the **Capture Mode** to record videos and images for documentation purposes and to educate your patients. This helps them make an informed decision and value your expertise.



*Operating the Varioskop 230*

Use the **Varioskop® 230** to adjust the focal length to focus on the whole oral cavity and on minute details in the vertical axis.

Control all light settings to adjust the brightness as well as the motorized **SpotLight** diameter for a focused treatment. Your patient and assistant will not be bothered by unnecessary light while using a long working distance.





*Varioskop 230  
operation*

*Variable working  
distance of  
200 – 430 mm*

# Technical Data

## EXTARO 300 from ZEISS

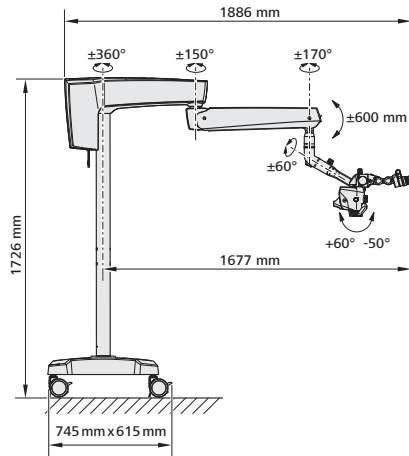
		Packages			
		Essential	Classic Plus	Premium Dental	
<b>Magnification System</b>	Manual 5-step apochromatic magnification changer	●	●	●	
<b>Eyepieces</b>	12.5x widefield eyepieces	without reticle	●	●	
		with reticle	□	□	
	10x widefield eyepieces	without reticle	□	□	
		with reticle	□	□	
<b>Tube</b>	180° tiltable tube	●	●	●	
<b>Focus</b>	Varioskop 230, working distance 200–430 mm	●	●	●	
<b>Illumination System</b>	TriLED, 5500 K	●	●	●	
	LightBoost – Xenon equivalent light intensities <sup>5</sup>	○	●	●	
	Orange Color Mode	●	●	●	
	Green Color Mode	●	●	●	
<b>Augmented Visualization</b>	Upgradable kit (mandatory for Augmented Visualization Modes)	□	●	●	
	Fluorescence Mode	□	○	○	
	TrueLight Mode	□	○	○	
	NoGlare Mode	□	○	○	
<b>User Interface</b>	Ergonomic handgrip	●	●	●	
	Mode Control	●	●	●	
	Single finger adjustable illumination, focus and SpotLight (motorized aperture control)	●	●	●	
<b>Communication</b>	Essential: Integrated HD camera with recording on USB; HDMI output	●	□	–	
	Complete: Integrated HD camera with recording on USB or wireless recording to the ZEISS Connect App; network integration available for archiving purposes; HDMI output	○	□	●	
	DICOM	○	□	○	
	Adapter for digital cameras (Full-frame or APS-C)	□	○	□	
<b>Ergonomics</b>	Foldable Tube f170/f260 including the PROMAG function boosts to 150 % magnification for a detailed view	○	○	○	
	MORA Interface – remain in an upright position regardless of the angle of view:	with documentation port	□	●	□
		without documentation port	□	□	●
Straight coupling (compatible with all suspension systems)	□	○	○		
<b>Asepsis</b>	Asepsis Starter Kit with high quality splash protection for the objective lens and resterilizable covers for Varioskop, Mode Control, magnification changer and PD adjustment	○	○	○	
	Drape Starter Kit	○	○	○	
<b>Suspension System</b>	Floor stand	●	●	●	
	Floor mount	○	○	○	
	Ceiling mount	○	○	○	
	Wall mount	○	○	○	

● Basic configuration   ○ Package options   □ Add-ons

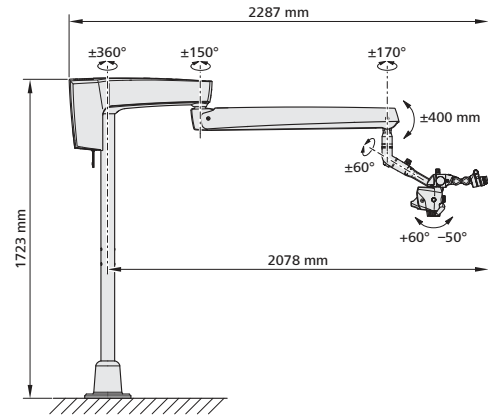
<sup>5</sup> Carl Zeiss Meditec AG internal data on file, not published.

## Suspension System Options<sup>6</sup>

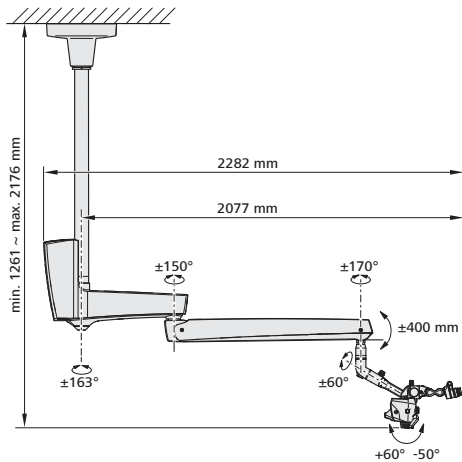
Floor stand with short suspension arm, MORA Interface and Foldable Tube f170/f260



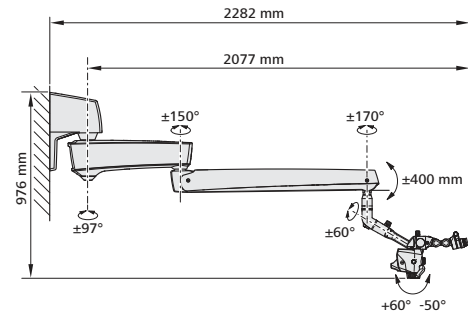
Floor mount with long suspension arm, with MORA Interface and Foldable Tube f170/f260 (see drawing); also available with short suspension arm



Ceiling mount with long suspension arm, with MORA Interface and Foldable Tube f170/f260 (see drawing); also available with short suspension arm



Wall mount with long suspension arm, with MORA Interface and Foldable Tube f170/f260 (see drawing); also available with short suspension arm



<sup>6</sup> Treatment unit integration option also available. All data are measured internally with possible deviation due to different measuring method or tool. For specifications see user manual.



EXTARO 300



**Carl Zeiss Suzhou Co., Ltd**  
Modern Industrial Square 3-B,  
No.333 Xingpu Road  
Suzhou Industrial Park, Suzhou  
China 215126  
[www.zeiss.com/med/contacts](http://www.zeiss.com/med/contacts)



**Carl Zeiss Meditec AG**  
Goeschwitzer Strasse 51–52  
07745 Jena  
Germany  
[www.zeiss.com/dentistry/extaro-300](http://www.zeiss.com/dentistry/extaro-300)  
[www.zeiss.com/med/contacts](http://www.zeiss.com/med/contacts)



ZEISS Connect



**Carl Zeiss Meditec AG**  
Goeschwitzer Strasse 51–52  
07745 Jena  
Germany  
[www.zeiss.com/dentistry/extaro-300](http://www.zeiss.com/dentistry/extaro-300)  
[www.zeiss.com/med/contacts](http://www.zeiss.com/med/contacts)

en-INT\_30\_010\_0300VIII Printed in Germany. CZ-IV/2022

The contents of the brochure may differ from the current status of approval of the product, functions, or service offering in your country. Please contact our regional representatives for more information. Subject to changes in design and scope of delivery and due to ongoing technical development. EXTARO and Varioskop are either trademarks or registered trademarks of Carl Zeiss Meditec AG or other companies of the ZEISS Group in Germany and / or other countries.  
© Carl Zeiss Meditec AG, 2022. All rights reserved.